

Polestar 4



Polestar 4 joins the collection

Polestar cars represents a new form of electric performance. One defined by minimalistic design, technological innovations, sustainable solutions, and a complete lack of compromise. Polestar 4, an SUV coupé, continues that philosophy together with the rest of the Polestar collection. Now available online and in 27 markets worldwide.

It all started with Polestar 1; a limited-production electric performance hybrid built from 2019 to 2022. Then came Polestar 2, an electric fastback, followed by Polestar 3, electric SUV. Now Polestar 4 joins them, combining aerodynamics of a coupé, with spaciousness of an SUV. And like all Polestar EVs; technology for the electric age.

This is Polestar 4.



Performance

Polestar 4 is the fastest production car Polestar has developed to date, with the dual motor variant accelerating from 0 to 100 km/h in 3.8 seconds. The driving dynamics remain true to the Polestar philosophy, with direct steering and sharp handling that inspires driver confidence.

The Long range Dual motor variant delivers 400 kW (544 hp), 686 Nm of torque and a range target of up to 590 km WLTP. The rear-wheel driven Long range Single motor with 200 kW (282 hp) and 343 Nm has a range target of up to 620 km WLTP on a single charge.





Acceleration from 0 to 100 km/h

3.8 sec

Power up to

400 kW
544 hp

Charging speed

DC 200 kW, from 10 to 80%

30 min

Up to 22kW, from 0 to 100%

5.5 hrs

Technology

Polestar 4 elevates the electric driving experience with a rear-facing HD camera for a wider field of vision, a 15.4" centre-stack display in landscape orientation, and the solar system-inspired ambient light line that orbits around the interior to illuminate the thoughtfully matched color and material combinations. With Google built-in, Polestar 4 instantly becomes part of the driver's digital ecosystem.





15.4" Landscape screen

Featuring standard Google Assistant, Google Maps, and Google Home integration.

Solar system-inspired interior illumination

The ambient light line orbits around all occupants and can be customised with different planetary themes to suit light conditions and mood.





Rear-facing HD camera

This is the rear window. The high-definition camera looks past all intrusions to make rearward vision clearer, wider, and safer.



Outer design

The Polestar design language continues with a sleek, aerodynamic coupé profile, ideally suited to the electric powertrain. The low, sporty front, the rear aero blades, and a completely flat floor work together to optimise range and efficiency. Frameless mirrors and flush door handles are also designed to improve air flow.





Headlights

The daylight running lights wear the Polestar signature dual blade design. Underneath the lower blade is a 32 pixel headlamp, blending minimalist aesthetics with intelligent adaptive technology in all light conditions.





Aerodynamics

The sleek, aerodynamic coupé profile is the perfect form for the electric era, combining a spacious interior with a sporty silhouette.

Rear light bar

The rear light bar adapts to the surrounding light conditions by constantly adjusting its illumination.



Exterior colour options

Magnesium





Snow

Space





Storm

Electron



Exterior colour options

Gold



20" Aero



21" Pro

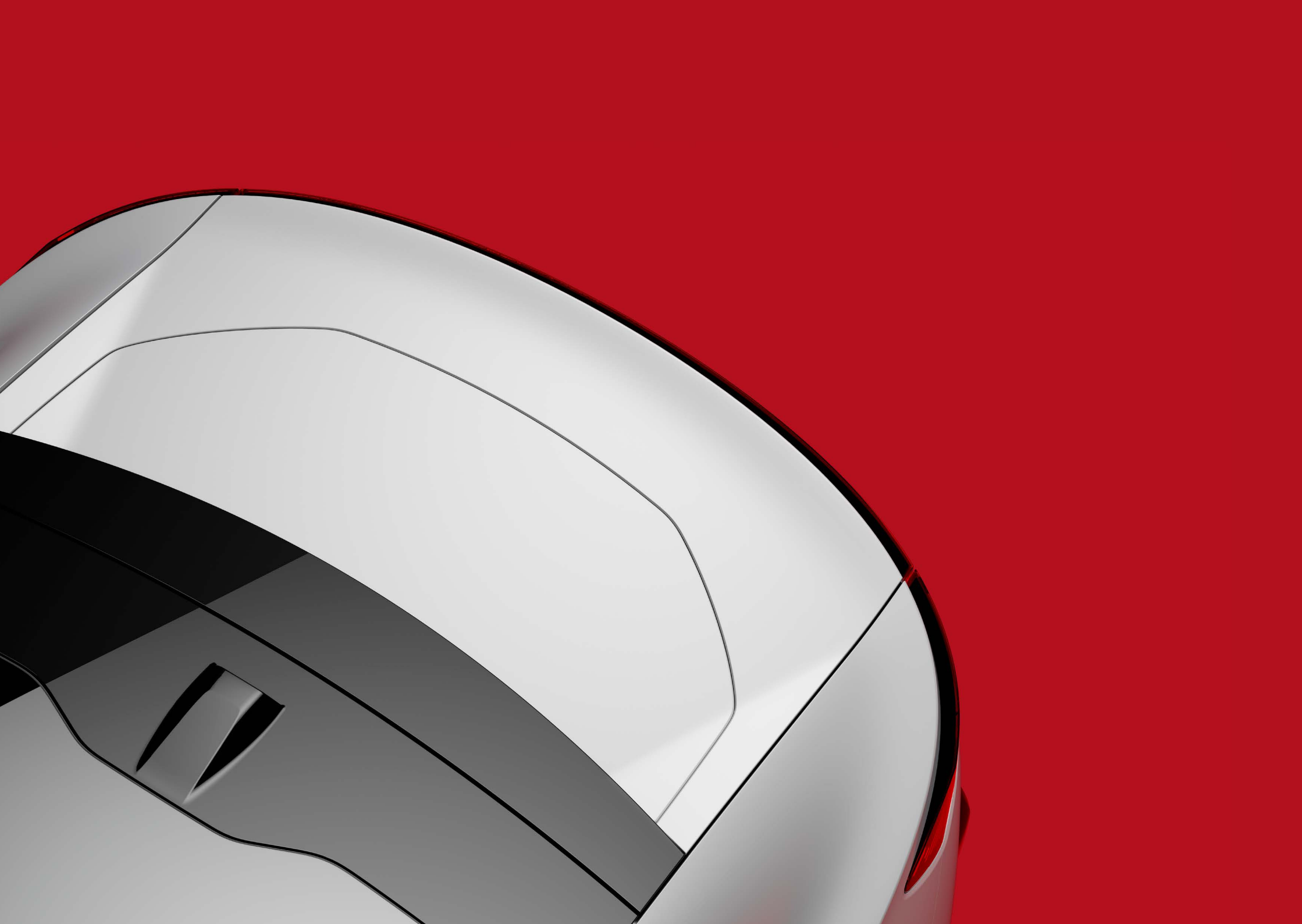


21" Sport



22" Performance





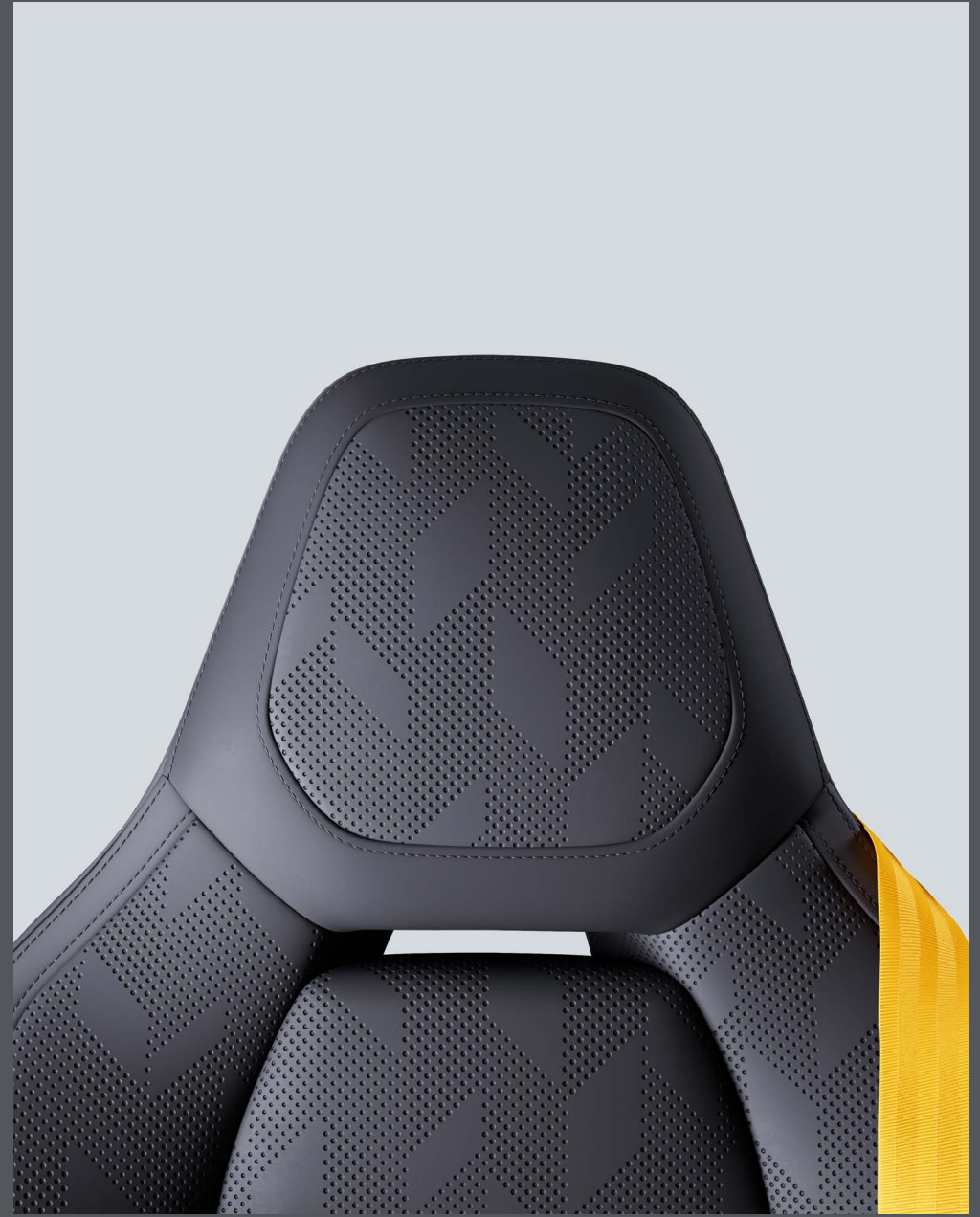
Inner space

The EV for passengers and drivers. The stretched panoramic roof creates a light and airy interior experienced from the comfort of every seat. The absence of a rear window creates a modern and spacious environment with plenty of headroom for those in the rear. As night falls the ambient lighting again floods the cabin with shades inspired by the solar system. The seats are electrically adjustable in the front and electrically reclinable in the rear.





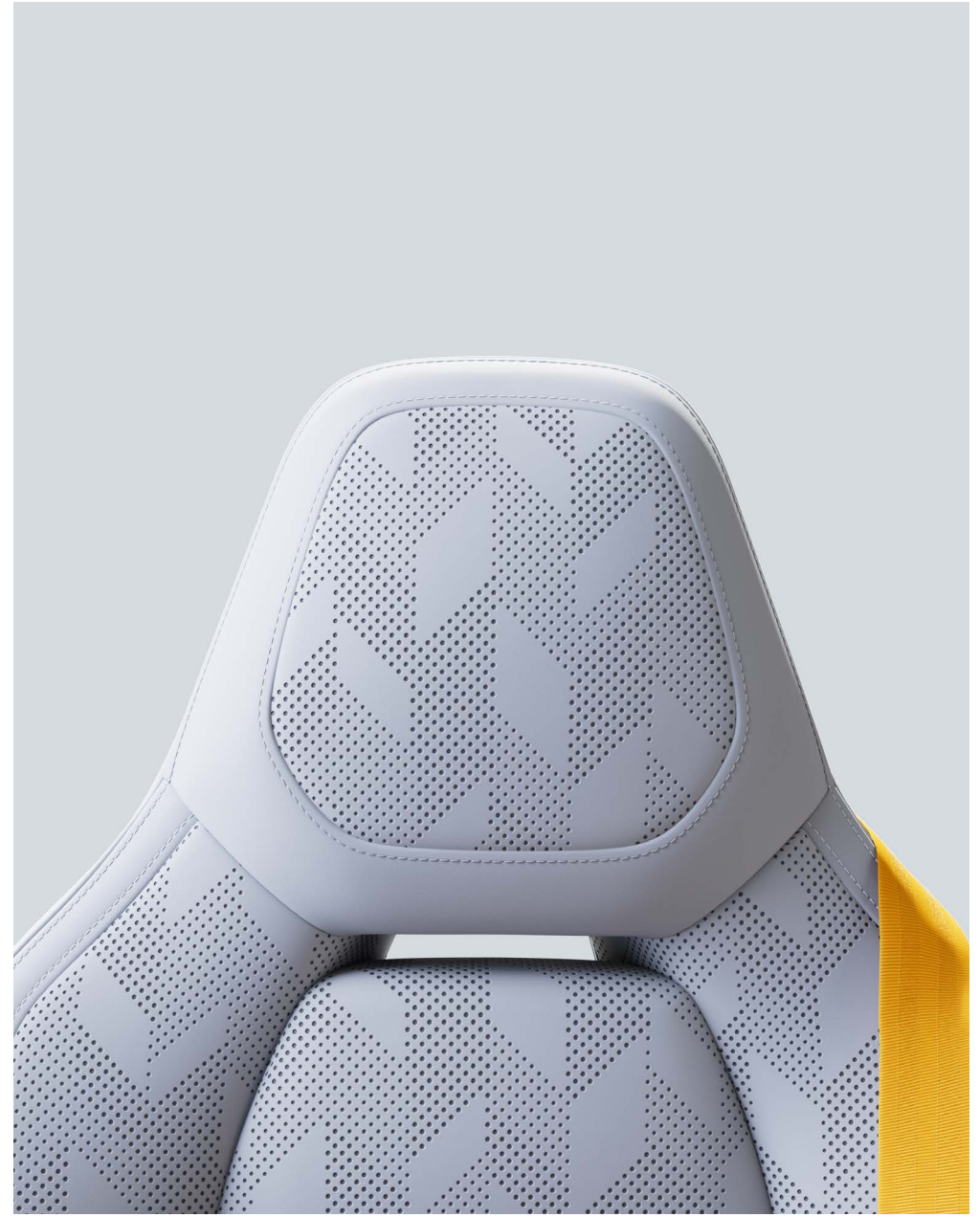
Charcoal Bio-attributed MicroTech.



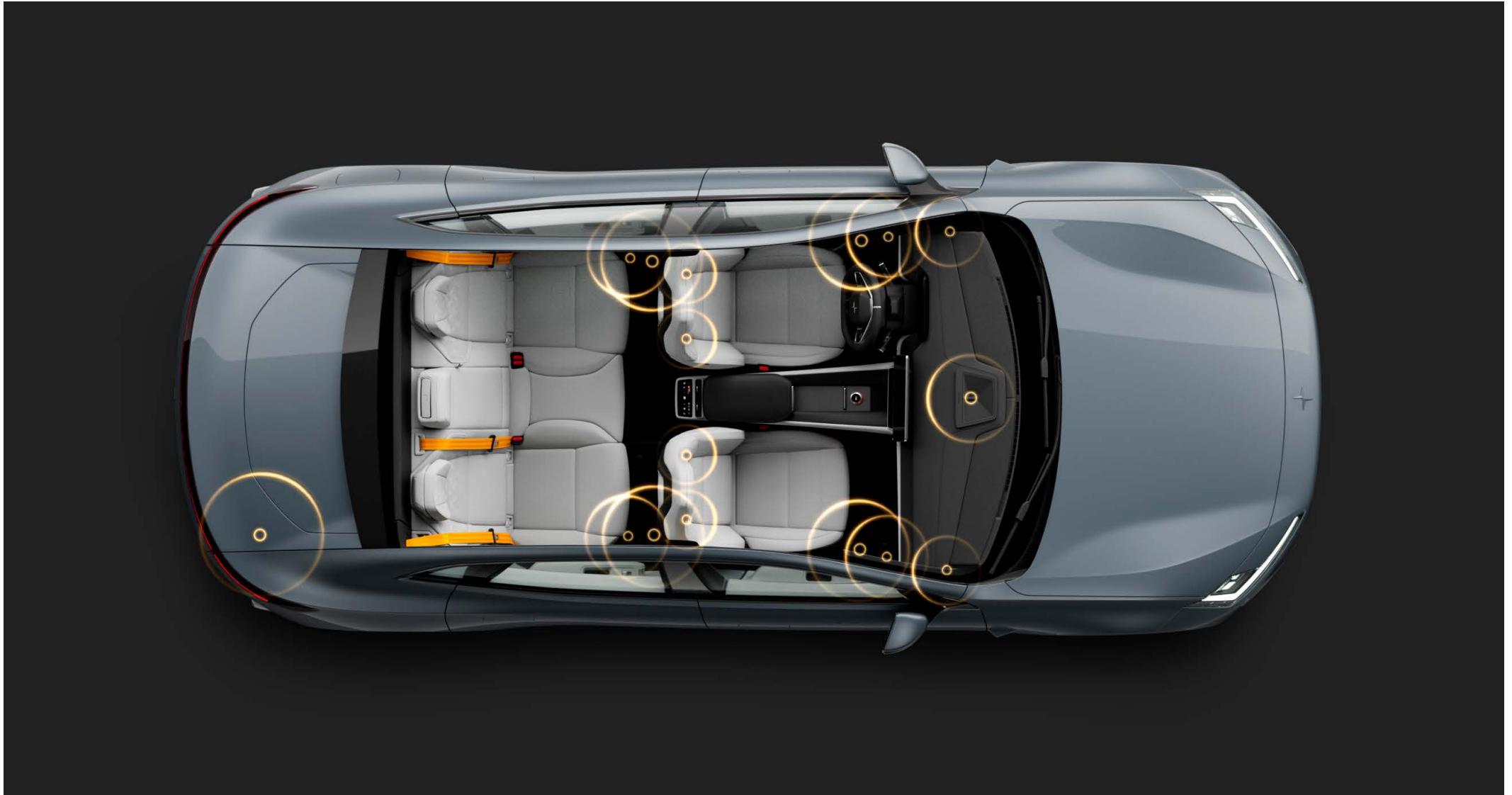
Charcoal Nappa leather.



Mist Tailored knit.



Zinc Nappa leather.



Sound system

Harman Kardon Premium Sound elevates the audio experience in the Polestar 4. With 16 interior speakers and producing 1400W via a channel-hybrid amplifier, the system delivers unparalleled clarity, pitch and power. Immerse yourself in a world of precision-tuned sound that enhances every moment of your journey.



Panoramic roof

Arching above all passengers from front to rear, the generous panoramic glass roof floods the interior with light.

Camera rear window

This not only provides a better rearward view, but also a spacious rear seating area with plenty of headroom.





Packs and single options

Polestar 4 comes with a carefully curated range of packs, colours, sustainable materials, and single options, making the electric experience even more personal.



Long range Single motor

Range up to WLTP

620 km

Torque

343 Nm

Power up to

200 kW
272 hp

0-100 km/h / 0-62mph

7.1 sec

Top speed

200 km/h

Long range Dual motor

Range up to WLTP

590 km

Torque

686 Nm

Power up to

400 kW

544 hp

0-100 km/h / 0-62mph

3.8 sec

Top speed

200 km/h

Includes:

- Pilot assist
- Lane change assist

Pilot pack



Includes:

- Graphical Head-up Display
- Harman Kardon Premium Sound
- Pixel LED Headlights with Adaptive High Beam
- 22 kW AC-charging
- Power operated steering column
- Easy ingress/egress
- 12-way electrical seats with mechanical cushion extension
- Electric reclinable rear seat backs
- Rear control and entertainment screen
- 3-zone climate with AQM PM 2.5 sensor
- Interior illumination Star knit deco
- Automatically dimmed exterior mirrors
- MicroTech upholstery in Charcoal with Zinc deco
- Mist Tailored knit upholstery with Zinc deco
- Power operated tailgate with handsfree opening & soft close
- Heated steering wheel and rear seats

Plus pack

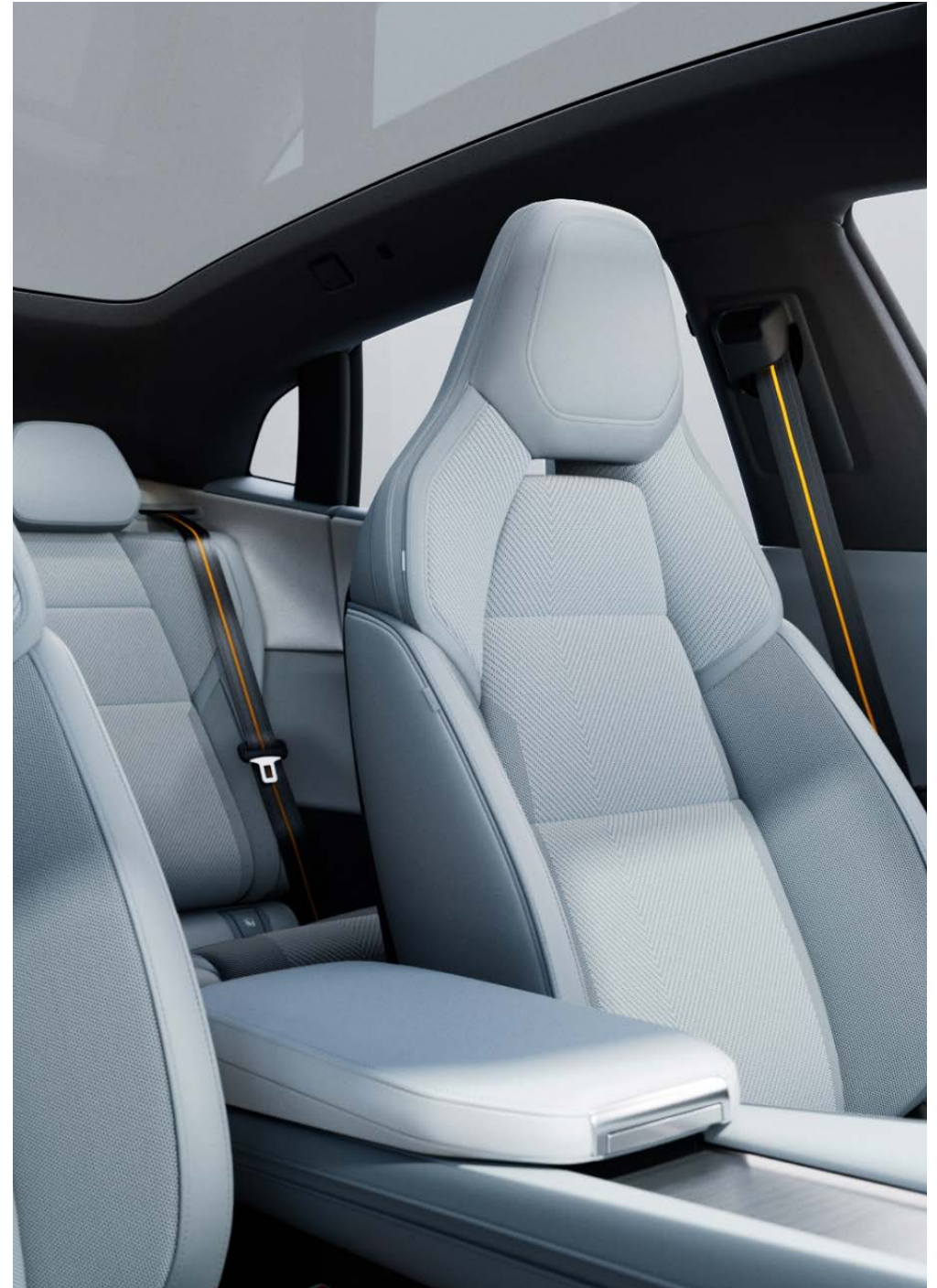


Includes:

- 21" Pro
- Black seatbelt with Swedish gold stripe
- Swedish gold valve caps

(Not applicable with Performance pack)

Pro pack

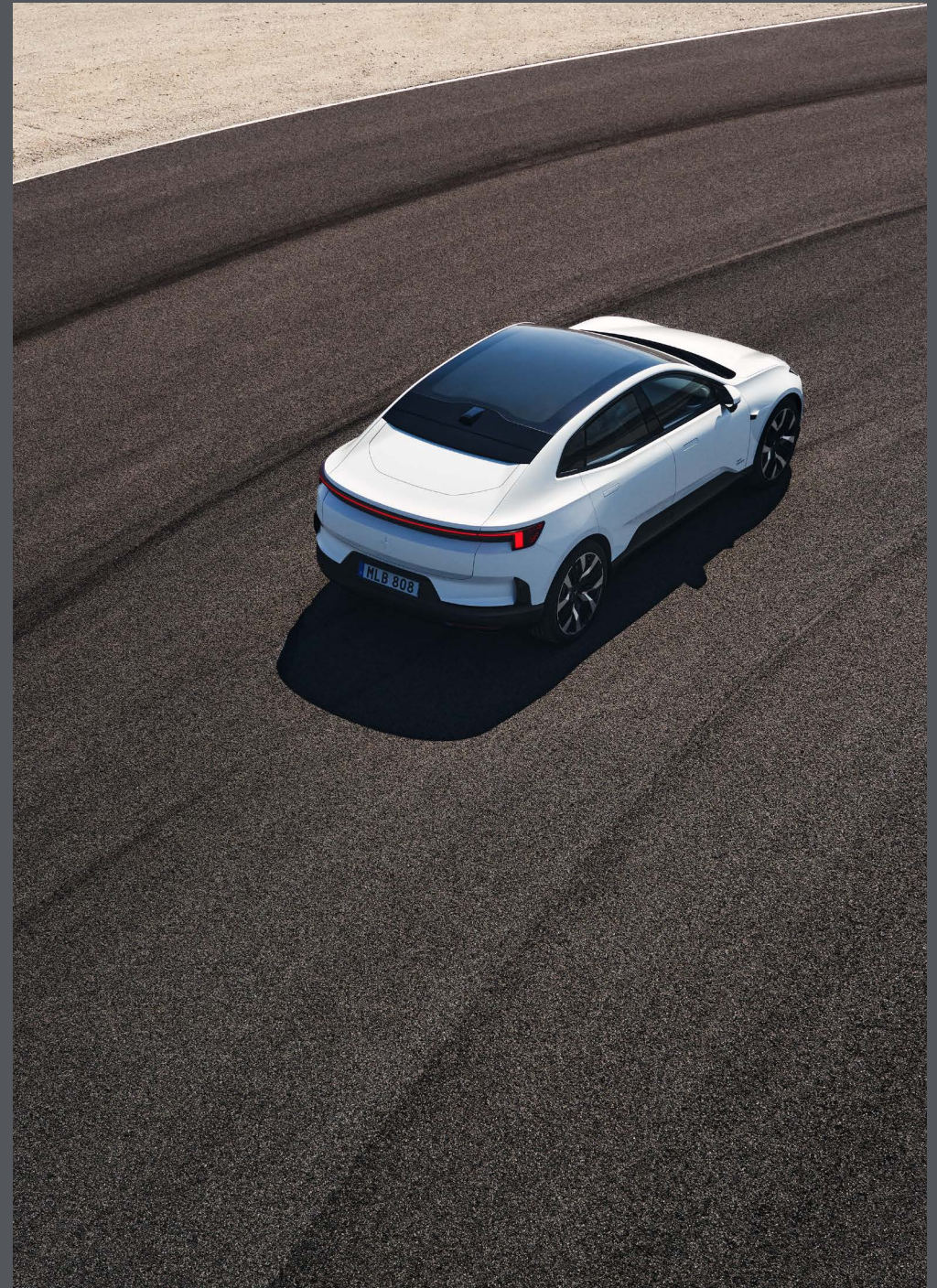


Includes:

- 22" Performance
- Performance optimised tyres
- Brembo brake callipers in Swedish gold
- Performance Engineered performance discs
- Polestar Engineered chassis tuning
- Swedish gold seatbelts
- Swedish gold valve caps

(Requires Long range Dual motor and Plus pack)

Performance pack



Includes:

- Perforated Animal welfare Nappa leather seats in Zinc or Charcoal
- Ventilated front seats with massage
- Harman Kardon headrest speakers in front seats
- Rear comfort headrests
- Brushed textile headlining

(Requires Plus pack)

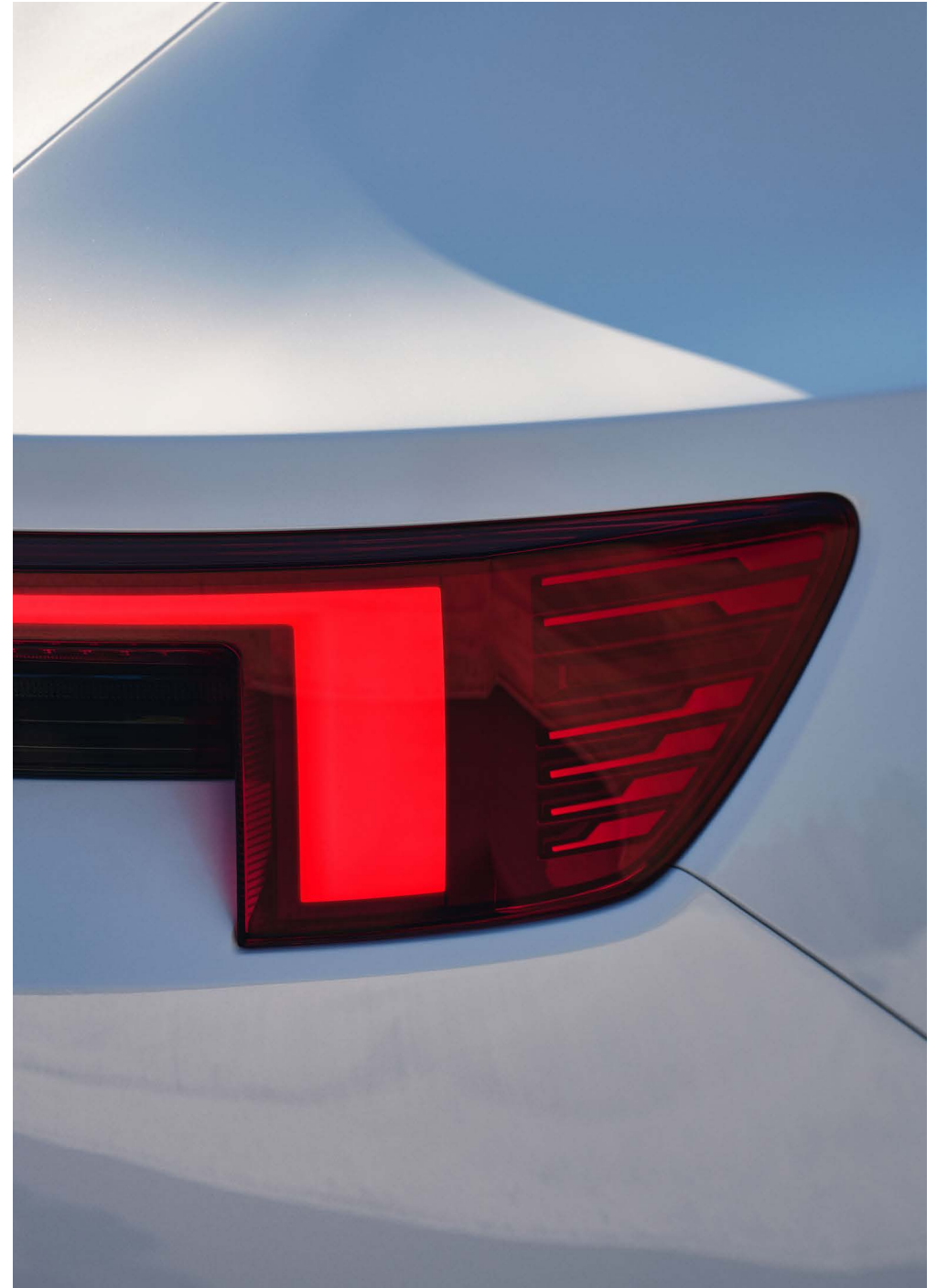
Nappa upgrade



Includes:

- Colour upgrade
- Premium colour
- Body painted lower claddings (Requires Plus pack)
- 21" Sport (Not applicable with Pro or Performance pack)
- Electrochromic glass roof (Requires Plus pack)
- Power foldable towbar
- Privacy glass on rear side windows
- AC-charging cable for public/home wallbox

Single options





Safety

Safety has been part of the Polestar DNA since the beginning, and these protective genes are evident in the Polestar 4. Cutting-edge driver assistance and impact protection systems safeguard all occupants at all times.



Next-level sustainability

Leaving a smaller climate footprint is a core Polestar principle. Polestar 4 is another step forward in our journey to use more responsibly sourced materials and solutions, reduce greenhouse gas emissions, increase transparency and promote circularity.



Technical dimensions

Curb weight

2230-2355 kg

Long range single motor

Long range dual motor

Wheelbase

2999 mm

Dimensions

L: 4840 mm
H: 1534 mm
W: 2139 mm

Centre display

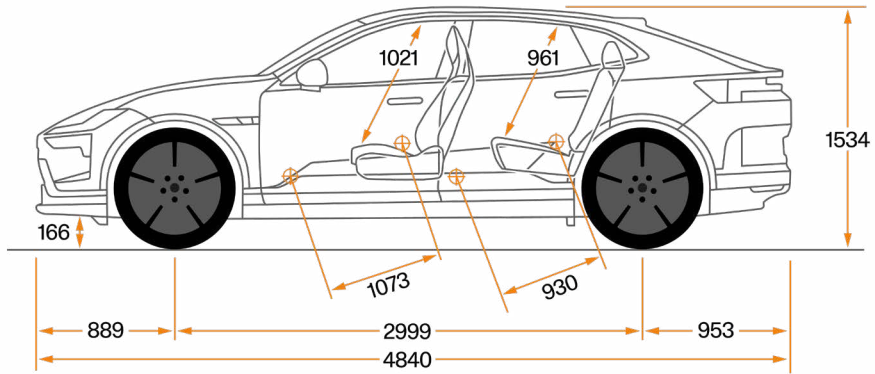
15.4"

Luggage volumes front/rear

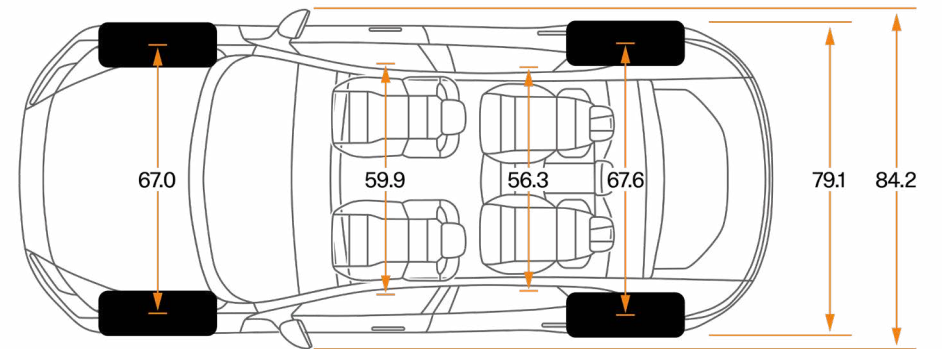
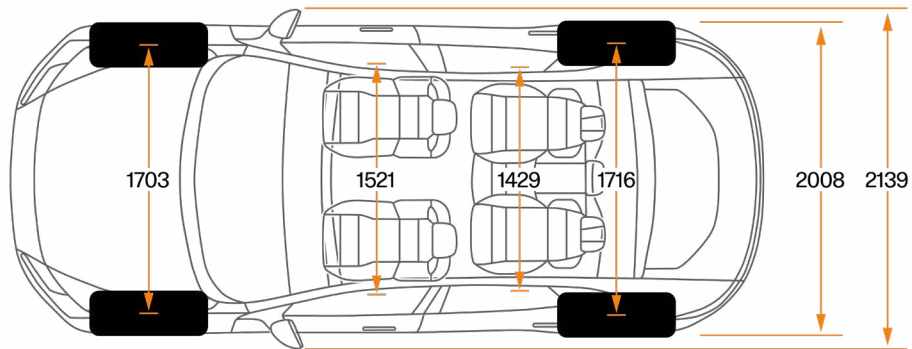
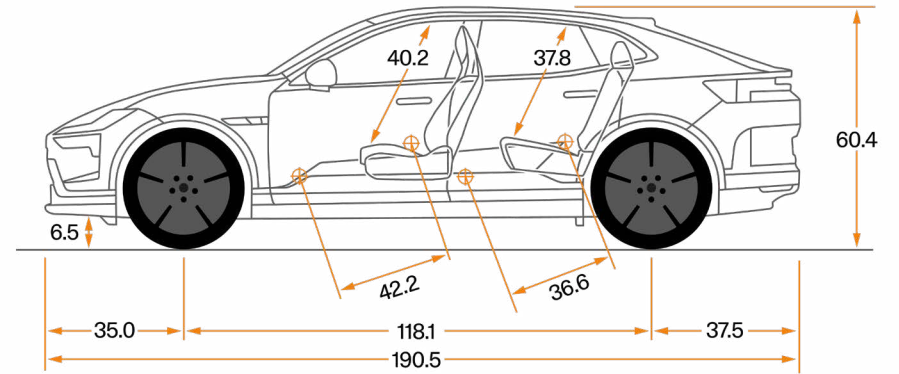
15 L / 526 L

Technical dimensions

Europe in mm



USA in inches



Dimensions (mm): L-4840 mm H-1534 mm W-2139 mm
 Wheelbase (mm): 2999 mm
 Tyre specs: 21" 265/45 295/40 – 22" 265/40 295/35
 Luggage volumes front/rear (liters): 15 L / 526 L

Dimensions (inches): L-190.7" H-60.4" W-84.2"
 Wheelbase (inches): 118.1"
 Tyre specs: 21" 265/45 295/40 – 22" 265/40 295/35
 Luggage volumes front/rear (cubic feet): 0.5 cubic feet / 18.9 cubic feet

Reasons to add Polestar to your fleet

01



Charging

Reliable charging is essential when owning an electric vehicle. Adding Polestar to your fleet comes with solutions that make this experience effortless. Polestar Charge connects the largest charging networks in Europe into one app, bringing access to over 850,000 stations and eliminating the need for multiple apps and payment methods. There are even exclusive discounts and local deals available with the add-on subscription.

Reasons to add Polestar to your fleet

02

Sustainability

We publish Life Cycle Assessment (LCA) reports for all Polestar models, model years and variants, offering complete transparency on our vehicles and their carbon footprint. This enables informed decisions and alignment with your corporate climate goals and ambitions. Polestar operates with sustainability at the core, guided by a dedicated climate roadmap to minimise our climate impact, committed to reaching net-zero emissions by 2040.



Number of Polestar service points globally (Numbers from July 2024)

1163

Average distance to nearest Polestar service point

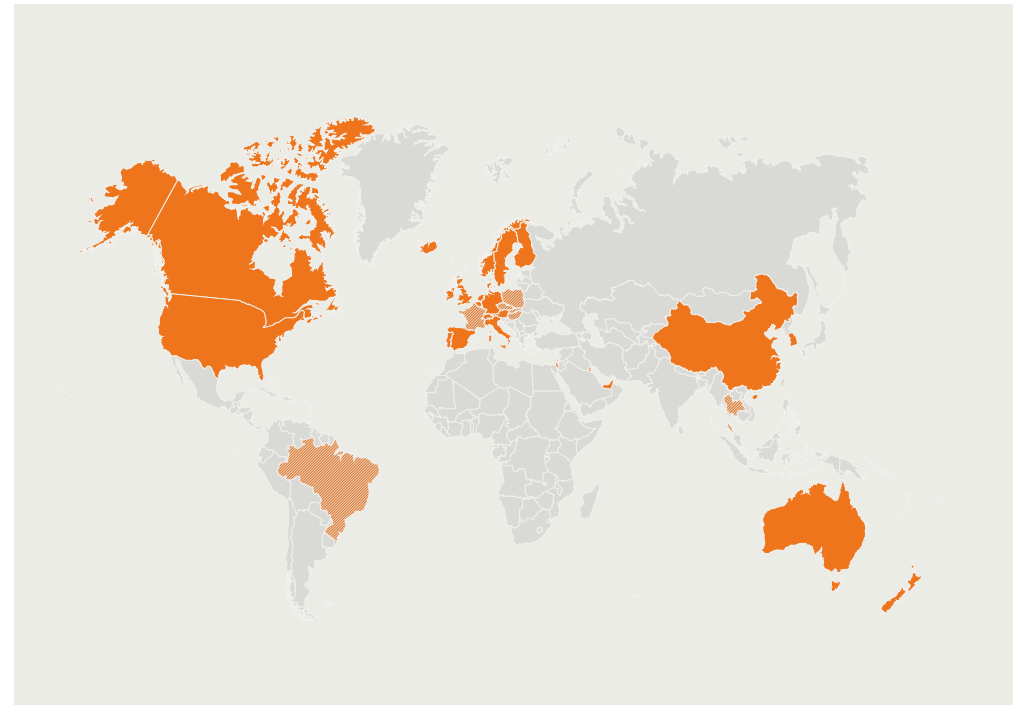
11 km

03

Reasons to add Polestar to your fleet

Service

The Polestar ownership experience reaches far beyond the driver's seat. With a growing network of service and maintenance points, we provide fast, convenient access to technical expertise at over 1100 locations across Europe. As a Polestar driver, you are, on average, only eleven kilometres away from your nearest service point. Collaborating with Volvo Cars brings access to a global leading infrastructure of technical expertise, spare parts, logistics, and knowledge right where and when you need it.



Reasons to add Polestar to your fleet

04

Performance

Our cars are engineered for a single purpose: To increase the pleasure of driving. With pure performance, progressive innovation, and minimalistic design as the foundation, we challenge traditional luxury and performance vehicles by creating truly desirable electric cars.



Polestar

—

Polestar Performance AB
Assar Gabrielssons Väg 9
405 31 Göteborg, Sweden

Connect

polestar.com
info@polestar.com
facebook.com/polestarcars
instagram.com/polestarcars
twitter.com/polestarcars
youtube.com/polestarcars
linkedin.com/company/polestarcars

Visiting address:

Polestar HQ
Assar Gabrielssons Väg 9
418 78 Göteborg

Copyright

All rights reserved.
No part of this brochure may be reproduced, distributed or transmitted in any manner without the expressed written consent of Polestar Performance AB.

© 2024 Polestar Performance AB

The Polestar trademarks are owned by Polestar Holding AB. Other product names, trademarks and company names are property of their respective owners.